

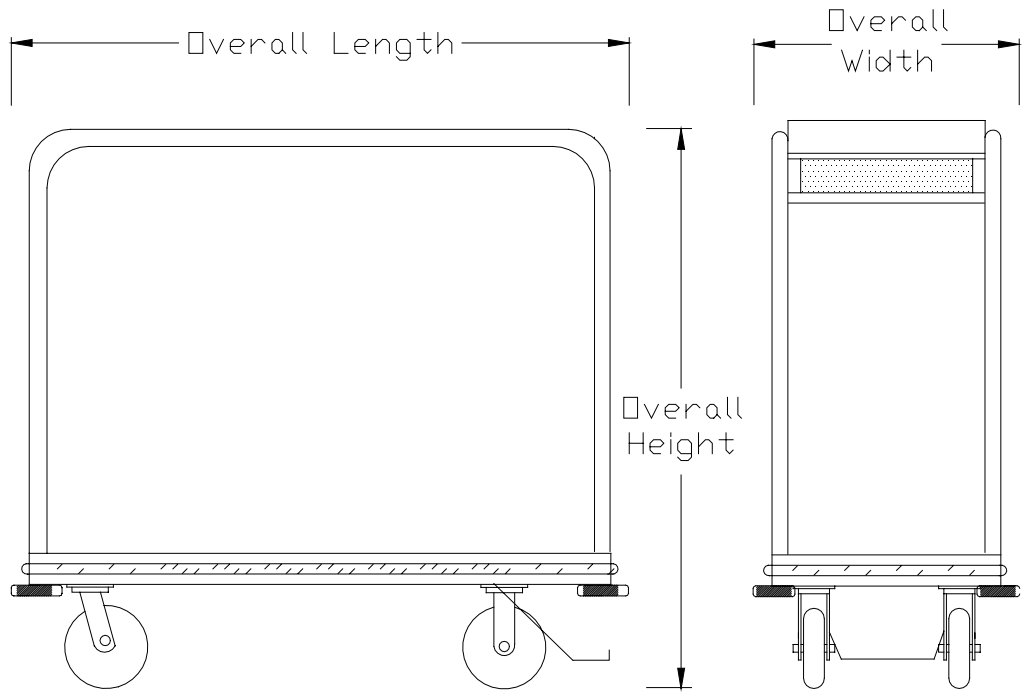
-CREATE THE PERFECT CART-

STEP 1 First establish how many rooms do you want to serve? _____
 And the purpose of this cart? _____

STEP 2 Special Features _____ Color Choice _____
 Indoor or Outdoor Transport _____ Other Ideas _____

STEP 3 To arrive at the approximate size of your cart design and the arrangement of items...
 1) Please select & inventory what products the cart needs to carry from the below list.
 2) Indicate on the cart drawing (below) a preferred manner for items to be arranged.
You may enlarge the drawing on a copy machine or you can call our office for assistance!
 3) Fax this form, any extra drawings and a note to our office at: 830-401-0600
 or email to: tqcarts@tqind.com
 4) We will contact you for additional information and send you a CAD drawing
 of your design.

- | QUANTITY | ITEM |
|----------|-------------------------|
| _____ | Washcloths |
| _____ | Hand Towels |
| _____ | Bath Towels |
| _____ | Bath Sheets |
| _____ | Bath Rugs |
| _____ | Mats |
| _____ | Double Sheets |
| _____ | Fitted Doubles |
| _____ | King Sheets |
| _____ | Fitted King |
| _____ | Pillow Cases |
| _____ | Robes |
| _____ | Toilet Paper |
| _____ | Kleenex |
| _____ | Coffee |
| _____ | Soaps/Shampoos |
| _____ | Amenities _____ |
| _____ | Amenities _____ |
| _____ | Newsletters |
| _____ | Magazines |
| _____ | Cleaning bottles |
| _____ | Other Cleaning Supplies |



Are there any other items you carry or custom feature you would like?



tqcarts@tqind.com

Name: _____ **Title:** _____ **Company:** _____

Location: _____ **Email:** _____ **Phone:** (____) - ____ - _____