

- CREATE AN ^{in room} Slim Line CART -

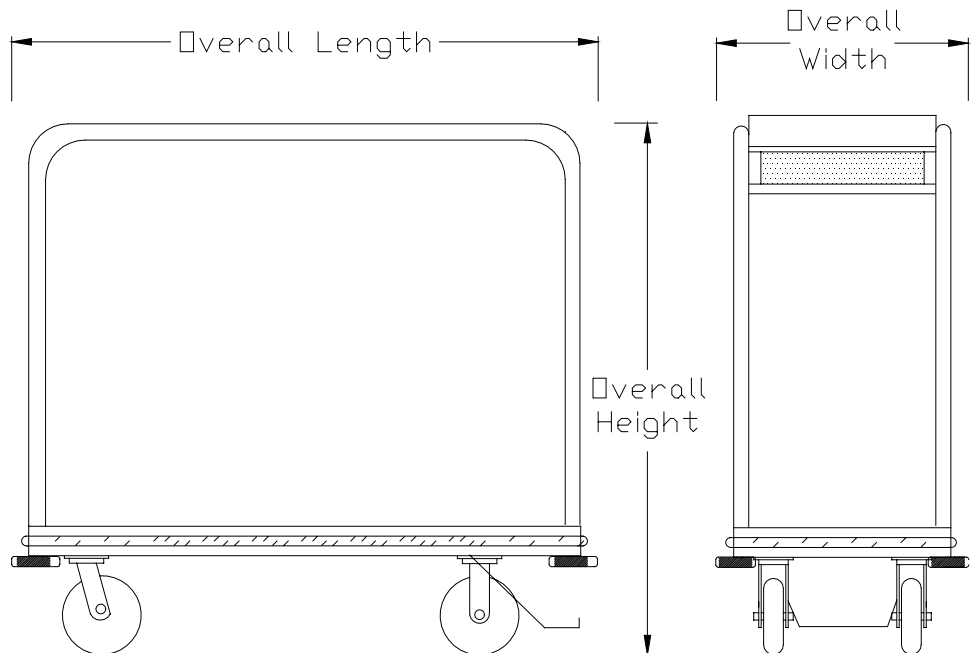
STEP 1 First establish how many rooms do you want to serve? _____

STEP 2 Special Features _____ Color Choice _____
 Cart to go Inside Guest Room? Y / N
 Do you want soiled bags on this cart? Y / N Bag Color _____

STEP 3 To arrive at the approximate size of your cart design and the arrangement of items...
 1) Please select & inventory what products the cart needs to carry from the below list.
 2) Fax this form, any extra drawings and a note to our office at: 830-401-0600 or email to: tqcarts@tqind.com
 3) We will contact you for additional information and send you a CAD drawing of your design.

QUANTITY OF ITEMS

- _____ Washcloths
- _____ Hand Towels
- _____ Bath Towels
- _____ Bath Sheets
- _____ Bath Rugs
- _____ Mats
- _____ Double Sheets
- _____ Fitted Doubles
- _____ King Sheets
- _____ Fitted King
- _____ Pillow Cases
- _____ Toilet Paper
- _____ Kleenex
- _____ Coffee
- _____ Soaps/Shampoos
- _____ Amenities _____
- _____ Newsletters
- _____ Magazines
- _____ Cleaning bottles
- _____ Other Cleaning Supplies



Does cart need to rotate 360 into room or make a sharp turn? Describe:
This will let us know the caster directional type necessary

Surfaces Cart is to roll on: (circle one) Carpet / Tile / Vinyl / Other _____

Are there any other items you carry or custom feature you would like?

SOILED COLLECTION: TQ offers many solutions for collecting Soiled Linen, Recycling and Sorting. ALL CAN FIT IN TO THE ROOM! Please indicate here if you would like information on soiled collection and a cart professional will contact you. Yes / No (circle one)



Name: _____ Title: _____ Company: _____

Location: _____ Email: _____ Phone: (____) - ____ - _____

TQcarts@TQind.com | Fax: 830-401-0600 | Phone: 800-826-1245 | TQHotels.com