

CREATE A *Roll-A-Long* CART

STEP 1 First establish how many rooms do you want to serve? _____
 And the purpose of this cart? _____

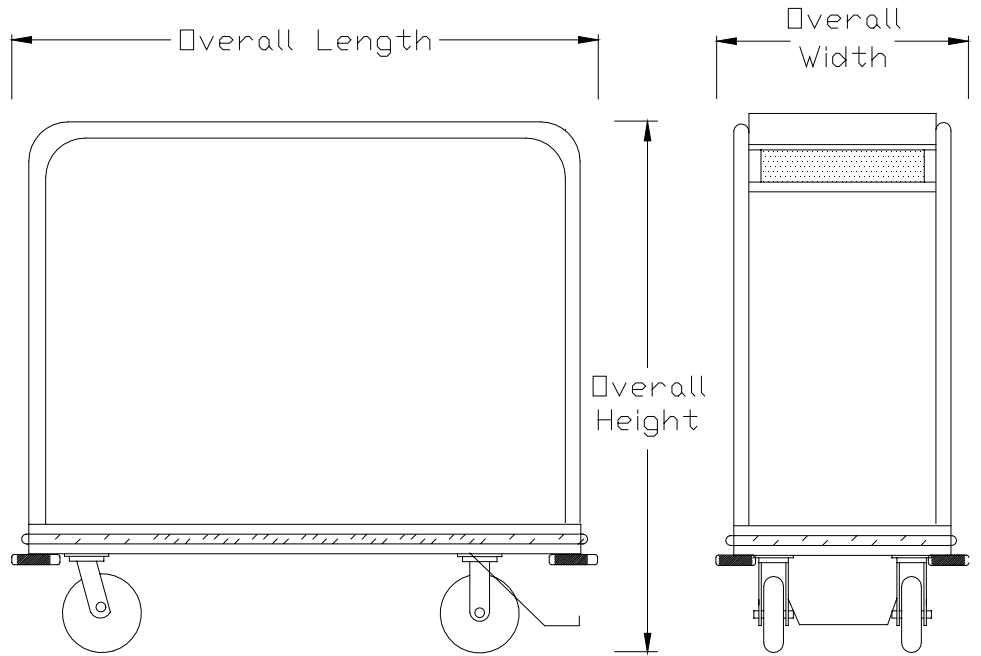
STEP 2 Special Features _____ Color Choice _____
 Indoor or Outdoor Transport _____ Other Ideas _____

STEP 3 To arrive at the approximate size of your cart design and the arrangement of items...

- 1) Please select & inventory what products the cart needs to carry from the below list.
- 2) Indicate on the cart drawing (below) a preferred manner for shelving and collection bags to be arranged and any other features you would like on the cart.
You may enlarge the drawing on a copy machine or you can call our office for assistance!
- 3) Fax this form, any extra drawings and a note to our office at: 830-401-0600 or email to: tqcarts@tqind.com
- 4) We will contact you for additional information and send you a CAD drawing of your design.

QUANTITY OF ITEMS

- _____ Washcloths
- _____ Hand Towels
- _____ Bath Towels
- _____ Bath Sheets
- _____ Bath Rugs
- _____ Mats
- _____ Double Sheets
- _____ Fitted Doubles
- _____ King Sheets
- _____ Fitted King
- _____ Pillow Cases
- _____ Robes
- _____ Toilet Paper
- _____ Kleenex
- _____ Coffee
- _____ Soaps/Shampoos
- _____ Amenities _____
- _____ Amenities _____
- _____ Newsletters
- _____ Magazines
- _____ Cleaning bottles
- _____ Other Cleaning Supplies



Are there any other items you carry or custom feature you would like?



Name: _____ **Title:** _____ **Company:** _____

Location: _____ **Email:** _____ **Phone:** (____) - ____ - _____