

-CREATE A Lobby CART-

STEP 1 Purpose of this cart: _____
 Cart to Roll: Indoor _____ Outdoor _____ Carpet _____ Do you have Tile or Grouted Flooring? _____

STEP 2 Cart Color - Standard: Sparkling Silver | Upgrade: Vanilla Champagne Oak Black Walnut
 Shadow Frost/Bronze Custom Color: _____
 Frame Color: Bronze Silver PMS Color: _____
 Perimeter Bumper Color: Dark Gray Off White Slate Blue
 Optional Locking Door: Panel Hinged Type Tambor (Roll-up) Locks on Door: Keyed Digital

STEP 3 1) Indicated on the appropriate drawing the size of cart and features.
You may enlarge the drawing on a copy machine or you can call our office for assistance
 2) Send this form and extra drawings to our office fax: **830-401-0600** or email: **TQcarts@tqind.com**
 3) We will contact you for additional information and send you a CAD drawing of your design.

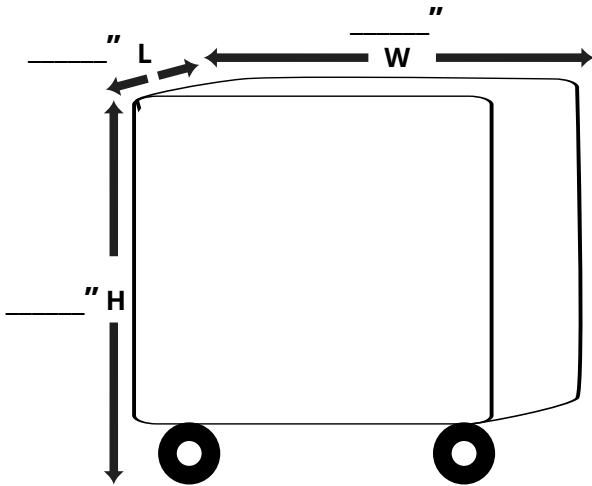
THIS CART IS TO CARRY THE FOLLOWING:

COLLECTION BAG

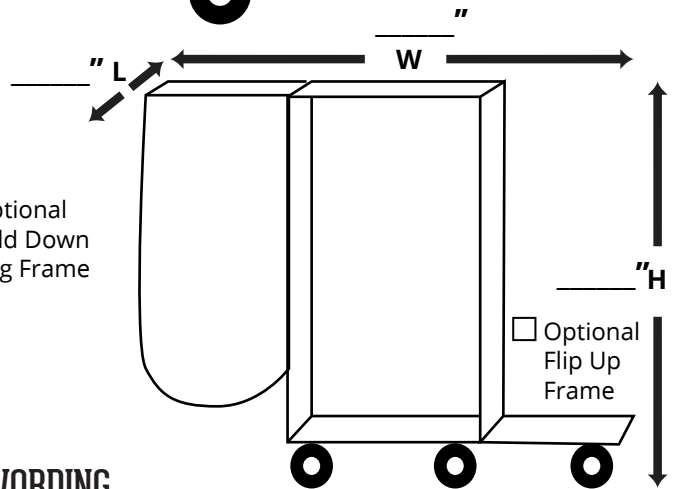
- Linen Waste Recycling
- Two Bags One Large Bag
- Enclosed Compartment(s) for Collection Bags
- Other (Describe) _____

OPTIONS I WOULD LIKE

- Hinged Lid Over Collection Bag(s)
- Enclosed Cart
- Space Saving Fold-up Collection Bag Frame or Janitor Bucket Frame
- Exterior Literature/Magazine Holder
- Pull-out Totes or Metal Drawers for Supplies
- Holder for Cleaning Bottles
 - Interior Exterior
- Custom Interior
- Love Your Walls "Softie"
- Drop Down Bumpers - Meets Base Boards
- Mop & Broom Holder
- Vacuum Holder
- Wringer Set-up
- Microfiber Set-up
- Other (Describe) _____



Choose a Style



LOGOS/SYMBOLS/WORDING

Logos or Wording on the Cart Body and Location

**Fax form to 830-401-0600
 or email: TQcarts@TQind.com
 Call: 800-826-1245**

See Options & Accessories sheet for more ideas or write down your unique ideas.
 Are there any other items you carry or custom feature you would like?



TQhotels@tqind.com

Name: _____ **Title:** _____ **Company:** _____

Location: _____ **Email:** _____ **Phone:** (____) - ____ - _____