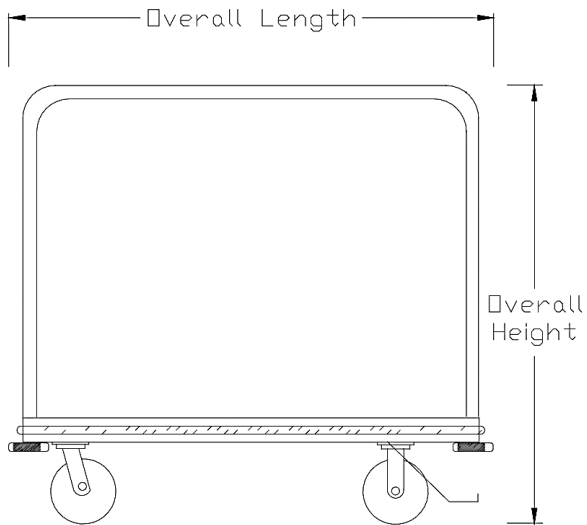


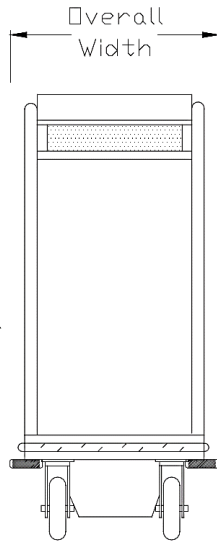
CREATE A *POST COVID SYSTEM*

CLEAN CART

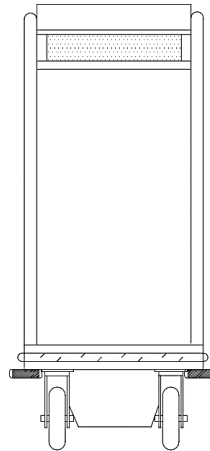
Front:



Side 1:



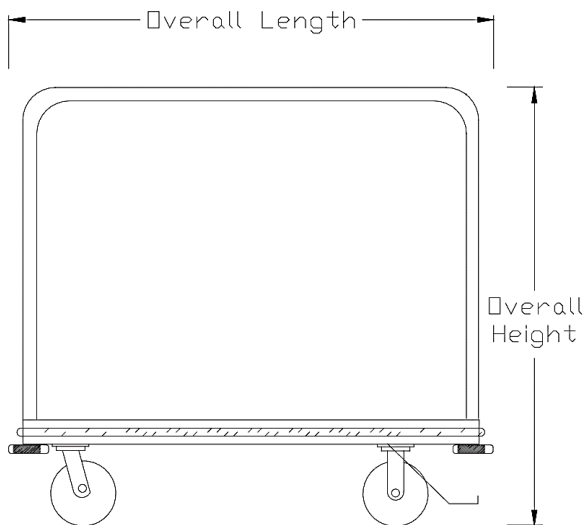
Side 2:



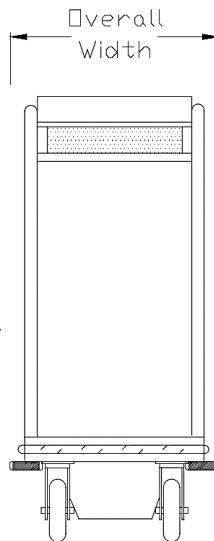
Notes:

COLLECTION CART

Front:



Side:



Notes:

Other Ideas You Might Have?

Contact Name: _____

Project: _____

Phone: _____

Email: _____



Hotel & Resort Carts